



规格书 Specification

品类/Term: RJ45 Signal connector(outdoor)-female socket(upgrade button type)
户外 RJ45 信号连接器-母座(按键升级款)

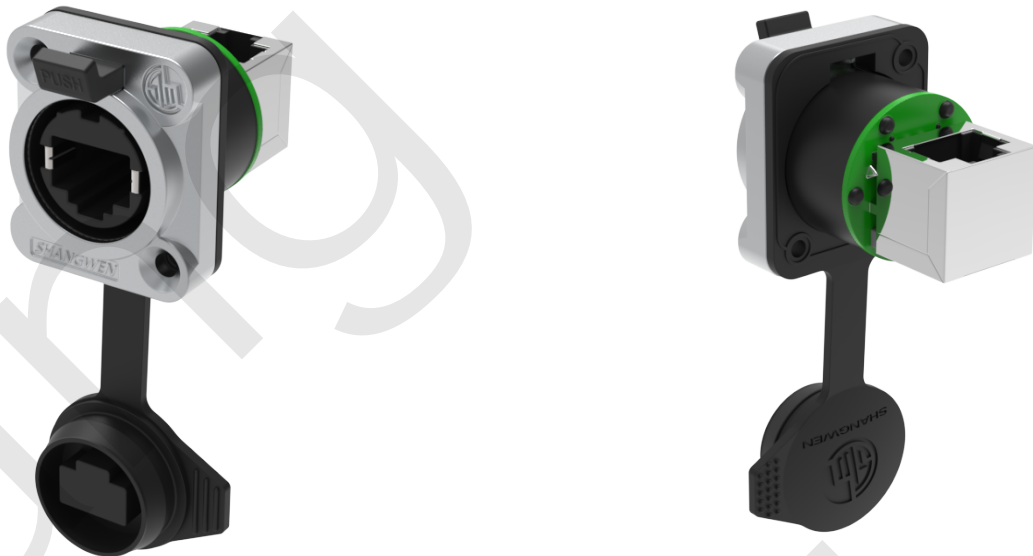
型号/Model: SW8FDYV-30-N

承认签章/Admit signature						
供应商确认/supplier			客户公司承认/customer			
工程师 engineer	审核 audit	批准 approval	工程师engineer	审核audit	批准approval	
LXM	WXW	CJY				
盖章签署 signature			盖章签署 signature			
日期/date			日期/date			

一、产品概述/Product overview:

Based on a safety lock on the basis of RJ45 connection, is widely used in professional audio, video, lighting and other network equipment, the socket is designed to become the standard in the design of industrial equipment panel installation, this type D size design perfect match the panel installation, RJ45 this wear design with metal blank and locking system at the same time, the general formula contains panel mounting screws.

基于RJ45基础上的一种安全锁定连接，被广泛运用于专业的音频，视频，灯光等网络设备，这个插座被设计成为标准的符合工业设备面板安装的款式，这种D型尺寸设计完美的配合了面板式的安装，RJ45的这种穿通式设计同时拥有金属底版和锁定系统，包含面板安装螺钉。



二、产品特性 (Product features)

- ☑能通配 SW8MC-B-2N或任何标准的 RJ45 接头
Accommodates SW8MC-B-2N or any standard RJ45 plug
- ☑认可的锁定系统
Approved latch lock system
- ☑从面板前面安装
Mountable from the front of the panel
- ☑符合 TIA / EIA 568B and ISO / IEC 11801 的关于 CAT5e 的传输标准
Complies with Cat5e according to TIA / EIA 568B and ISO / IEC 11801 standard
- ☑配合时防护等级可达 IP65
The protection grade can reach IP65 when cooperating

三、技术参数 (Technical parameters)

1. 电气参数 (Electrical parameters)

接触电阻 (Contact resistance)	< 20m
额定电流 (Rated current)	1.5 A
额定电压 (Rated voltage)	50 V
绝缘电阻 (Insulation resistance)	≥50M
绝缘强度 (Dielectric strength)	1 KV DC
带宽频率 (Frequency range)	1 - 100 MHz
传输等级 (Transmission performance)	CAT 5e

2. 机械参数 (Mechanical parameters)

使用寿命 (Service life)	> 1000 mating cycles
插拔力 (Insertion force)	≤50 N
锁定 (Locking device)	latch lock
底板规格 (Chassis shape)	D

3. 材料和环境 (Material and environmental parameters)

外壳 (Shell)	Zinc diecast (ZnAl4Cu1)
触点 (Contacts)	Beryllium copper
内芯 (Insert)	PBT
触点表面 (Contact surface)	Gold-plated 25U on the front and 8U on the back
外壳表面 (Shell surface)	Pearl Cr
使用温度范围 (Temperature range)	-30°C to +80°C

4. 标准和规范 (Standard)

标准 (Standard)	TIA/EIA 586B, IEC11801
---------------	------------------------

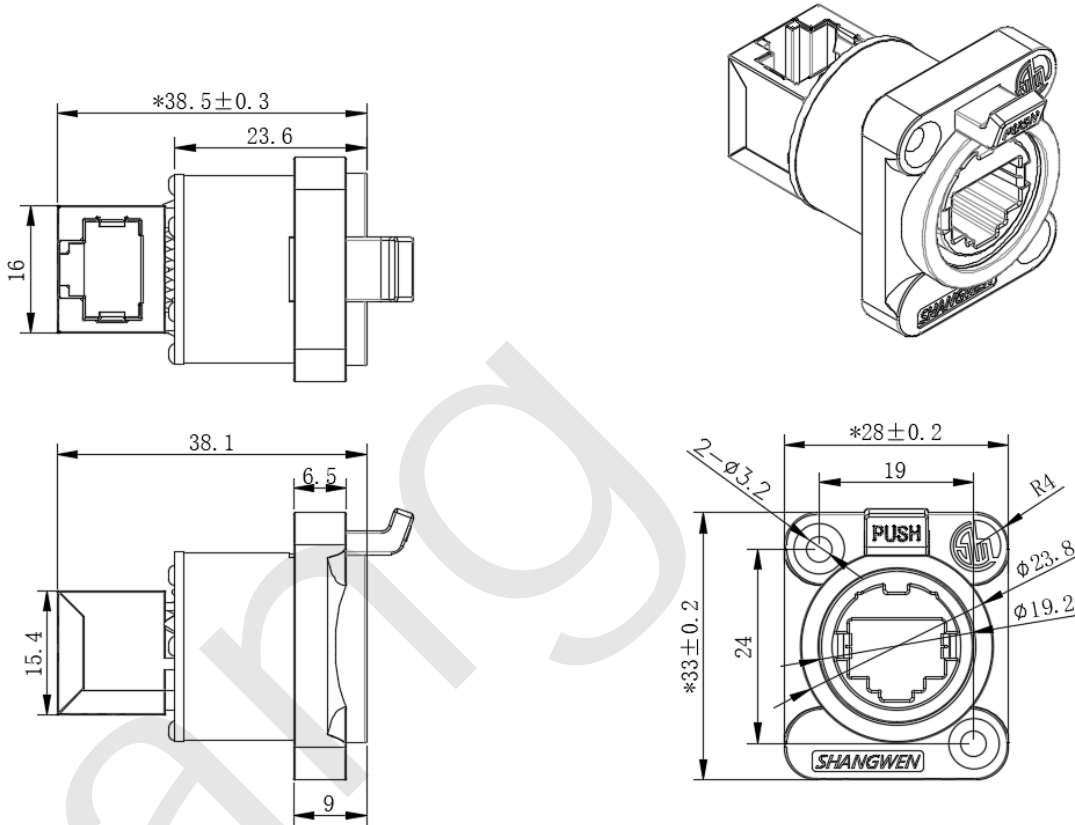
四、安装使用说明 (Installation instructions)

- 1、插座安装方向 (Socket installation direction) : 前安装 (Before the installation)
- 2、面板厚度 (The thickness of the panel) : 1.5~4.0mm

五、工程图 (Engineering drawing)

SW8FDYV-30-N

单位/unit:mm公差 /The tolerance:±0.1mm



Waterproof gasket/防水圈

